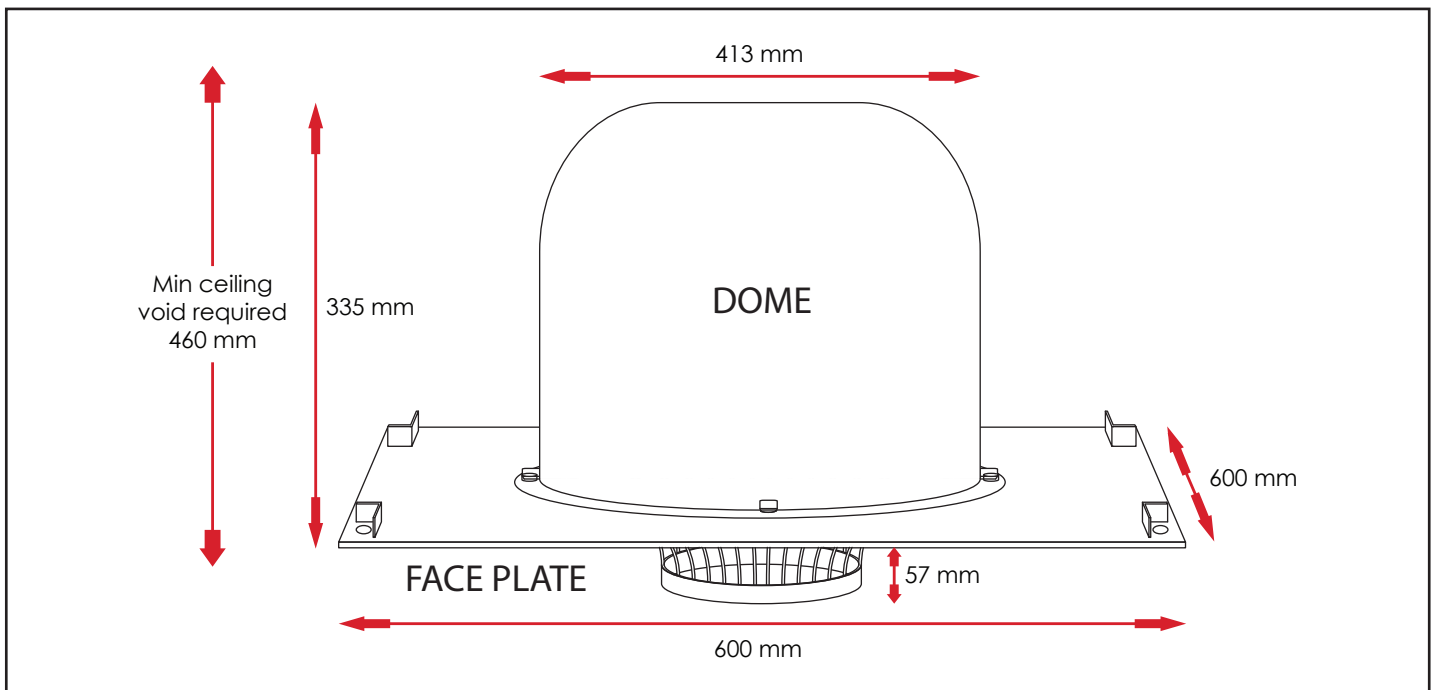


## DIMENSIONS



## PROPERTIES

UNIT SIZE	Standard	
	Weight:	4.0 kgs (8 lbs)
Width:	600 mm (24 in)	
Depth:	600 mm (24 in)	
Grill Height:	57 mm (2 in)	
Dome Diameter:	413 mm (16 in)	
Dome Height:	335 mm (13 in)	
Total Height:	392 mm (15 in)	



### HOUSING

- 600mm x 600mm (24" x 24") lay-in ceiling mount
- PC/ABS Resin
- 5VA flame resistance rating

### NOZZLE LENGTHS - from face plate

- Model 45 Standard = 219mm

### COLOUR

- Cool gray 2C - Off white as standard
- Can be tailor painted to your colour specifications

### WARRANTY

- 3 years parts and workmanship from shipping date
- Refurbishment program after 3 year warranty period
- 120 day money back guarantee (T's & C's apply)

## PLACEMENT

### PREPARATION

- Install electrical circuit(s) and outlet(s) in accordance with national and local electric codes
- Outlets should generally be mounted vertically unless a "twist/locking" type is being used
- Wall switch may be installed in circuit to disable power and prevent electrical hazards when servicing
- Confirm electrical continuity of Airius unit on the ground before permanently mounting in the ceiling

### INSTALLATION

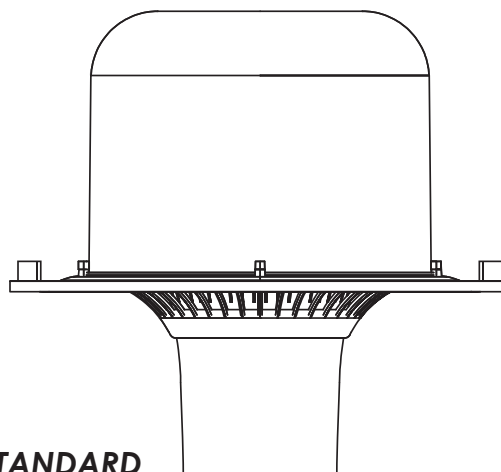
- The Airius unit performs best when air column from the nozzle is unimpeded to the floor
- Use professionally installed hardware, capable of supporting a minimum of five times the weight
- Hardware to hang the unit includes but is not restricted to: Hooks, chains, cables, carabiners, bridle rings, beam clamps and bolts
- Density of the placement is directly related to the effectiveness, performance and savings
- Mount out of reach from people and animals
- Floor plans, mezzanines, office locations, machinery, people placement, plumbing, lighting, duct work, electrical systems, natural light/air systems, cranes, doors, windows, ventilation and fire suppression systems are all factors in properly locating the Airius system within the ceiling

### OPERATION

- Designed to operate 24 hours-a-day, 7 days-a-week to maintain thermal equalization/humidity equalization
- Use optional speed control to fine tune RPM if needed

### MAINTENANCE

- Frequency of cleaning will vary by application and environment
- You may clean the plastic housing with a damp warm cloth, using mild household detergents
- Do not use petroleum products, thinners or solvents to clean any part of the Airius unit
- If the Airius unit fails, contact manufacturer



### MATERIALS & PROPERTIES

- Constructed from recyclable materials
- The outer shell, stator and fan blades are fire rated 5VA materials



Airius LLC, © 2011. All Rights Reserved.