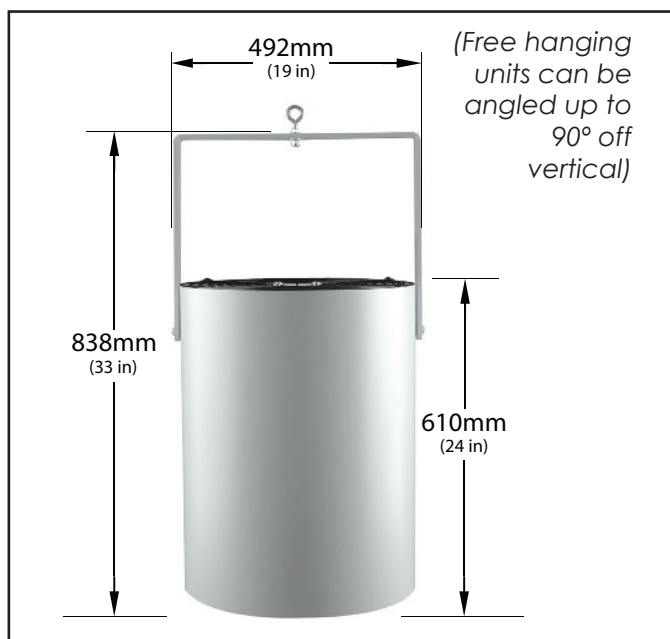


DIMENSIONS



PROPERTIES

UNIT SIZE	Standard	
	Weight:	17.2 kgs (38 lbs)
	Height to Rim:	610 mm (24 in)
	Total Height:	838 mm (33 in)
	Diameter:	492 mm (19 in)

MOTOR	230V	
	Watts* @ 50 hzt:	170
	RPM* @ 50 hzt:	1,630
	CFM* @ 50 hzt (m3/hr):	1,770 (3,007)
	AMPS* @ 50 hzt:	1.30

*Motor data provided by motor manufacturer and is subject to change at anytime

COVERAGE

- Ceiling Height = 17m - 20m (56 - 65.5 ft)
- Diameter = 14m - 17m (46 - 56 ft)
- Floor area = 155m² - 232m² (1,668 - 2,497 ft²)

MOTOR

- Single phase, electrically commutated, variable speed (with optional speed control), 92% efficient motor
- Sealed bearings, no lubrication required

OPERATING TEMPERATURES

- Operating Temp = -25°C (-13°F) to 60°C (140°F)
- Thermal shut off = 135°C (275°F)
- Reset = 125°C (255°F)

HOUSING

- Aluminium cylindrical housing
- Powder coated
- Internal PC/ABS resin fixed blade stator
- 5VA flame rating

NOISE LEVEL

- Floor Level = 0 - 38 dB(A)

INGRESS PROTECTION

- IP44 Rated

COLOUR

- Cool gray 2C - Off white as standard
- Can be tailor painted to your colour specifications

ACCESSORIES & OPTIONS

- Speed Controls - On/off speed controls allow for variable output from Airius unit. EC controls available

WARRANTY

- 3 years parts and workmanship from shipping date
- Refurbishment program after 3 year warranty period
- 120 day money back guarantee (T's & C's apply)

PLACEMENT

PREPARATION

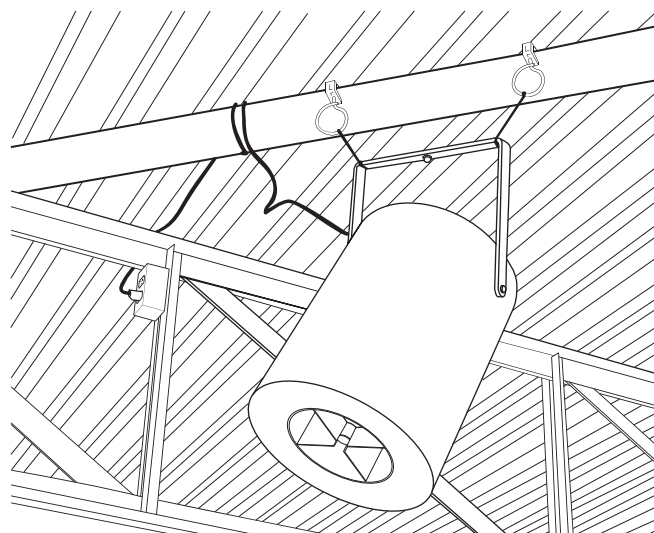
- Install electrical circuit(s) and outlet(s) in accordance with national and local electric codes
- Outlets should generally be mounted vertically unless a "twist/locking" type is being used
- Wall switch may be installed in circuit to disable power and prevent electrical hazards when servicing
- Confirm electrical continuity of Airius unit on the ground before permanently mounting in the ceiling

INSTALLATION

- Hang vertically as high in the ceiling as possible
Typically 300mm (12") - 450mm (18") from the roof deck to intake
- The Airius unit performs best when air column from the nozzle is unimpeded to the floor
- Use professionally installed hardware, capable of supporting a minimum of five times the weight
- Hardware to hang the unit includes but is not restricted to: Hooks, chains, cables, carabiners, bridle rings, beam clamps and bolts
- Density of the placement is directly related to the effectiveness, performance and savings
- Mount out of reach from people and animals
- Floor plans, mezzanines, office locations, machinery, people placement, plumbing, lighting, duct work, electrical systems, natural light/air systems, cranes, doors, windows, ventilation and fire suppression systems are all factors in properly locating the Airius system within the ceiling

OPERATION

- Designed to operate 24 hours-a-day, 7 days-a-week to maintain thermal equalization/humidity equalization
- Use optional speed control to fine tune RPM if needed



MAINTENANCE

- Frequency of cleaning will vary by application and environment
- You may clean the plastic housing with a damp warm cloth, using mild household detergents
- Do not use petroleum products, thinners or solvents to clean any part of the Airius unit
- If the Airius unit fails, contact manufacturer

MATERIALS & PROPERTIES

- Constructed from recyclable materials
- The outer shell, stator and fan blades are fire rated 5VA materials
- Power cord is a 1.8m (6') 3 wire 18 AWG (or 16 AWG) 300VAC rated electrical cord - CE/EU compliance rated as HO5VV (**PLUG NOT SUPPLIED**)
- Single phase, electrically commutated, variable speed (with optional speed control), 92% efficient motor
- Motor is thermally protected. Shutoff is at 135°C (275°F) & reset is at 125°C (255°F)
- 0 - 38 dB(A)* at 50 htz
- No lubrication required. Bearings are sealed



Airius LLC, © 2011. All Rights Reserved.